

# COMBI TOOL SPS 480 MK2

Part No.  
**1098258**



 **CHARGE**

 **FORGED**

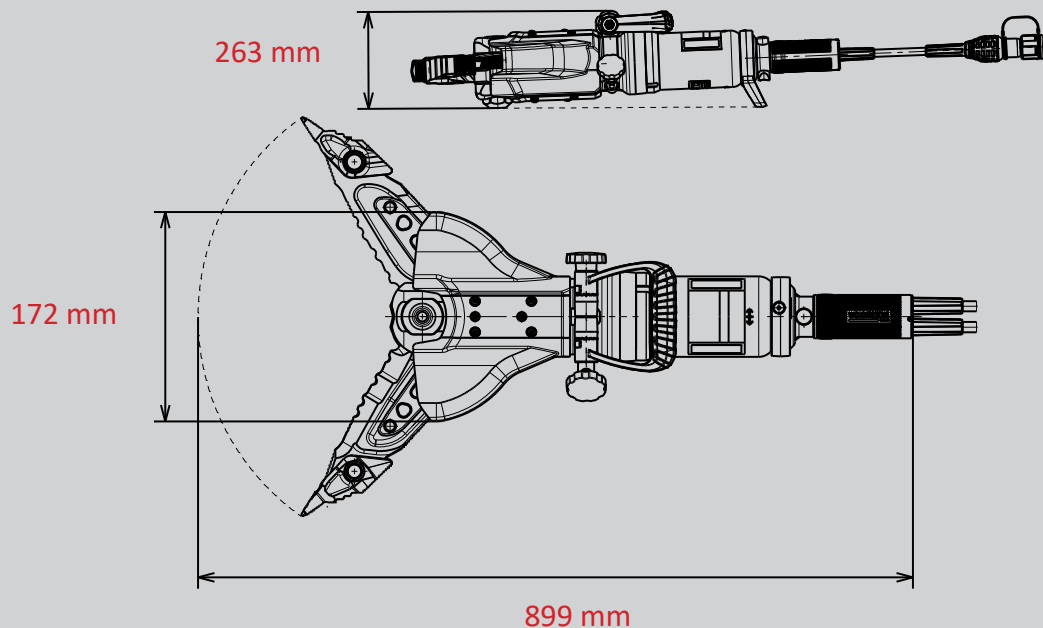
 **HANDLE**

 **SPEED CONTROL**

 **X-CHANGE**

## Technical Data

Spreading width	480 mm
Spreading force (in the working area)	45 - 1600 kN
Opening width	402 mm
Pulling width (with adapter)	525 mm
Max. pulling force	78 kN
EN class	CK45/480K-21
EN cutting performance (EN 13204)	1K-2K-3K-4K-5K
NFPA class	A8-B9-C9-D9-E9-F7
Weight	21 kg



Images are non-binding. We reserve the right to technical modifications.  
Version 10/2022B